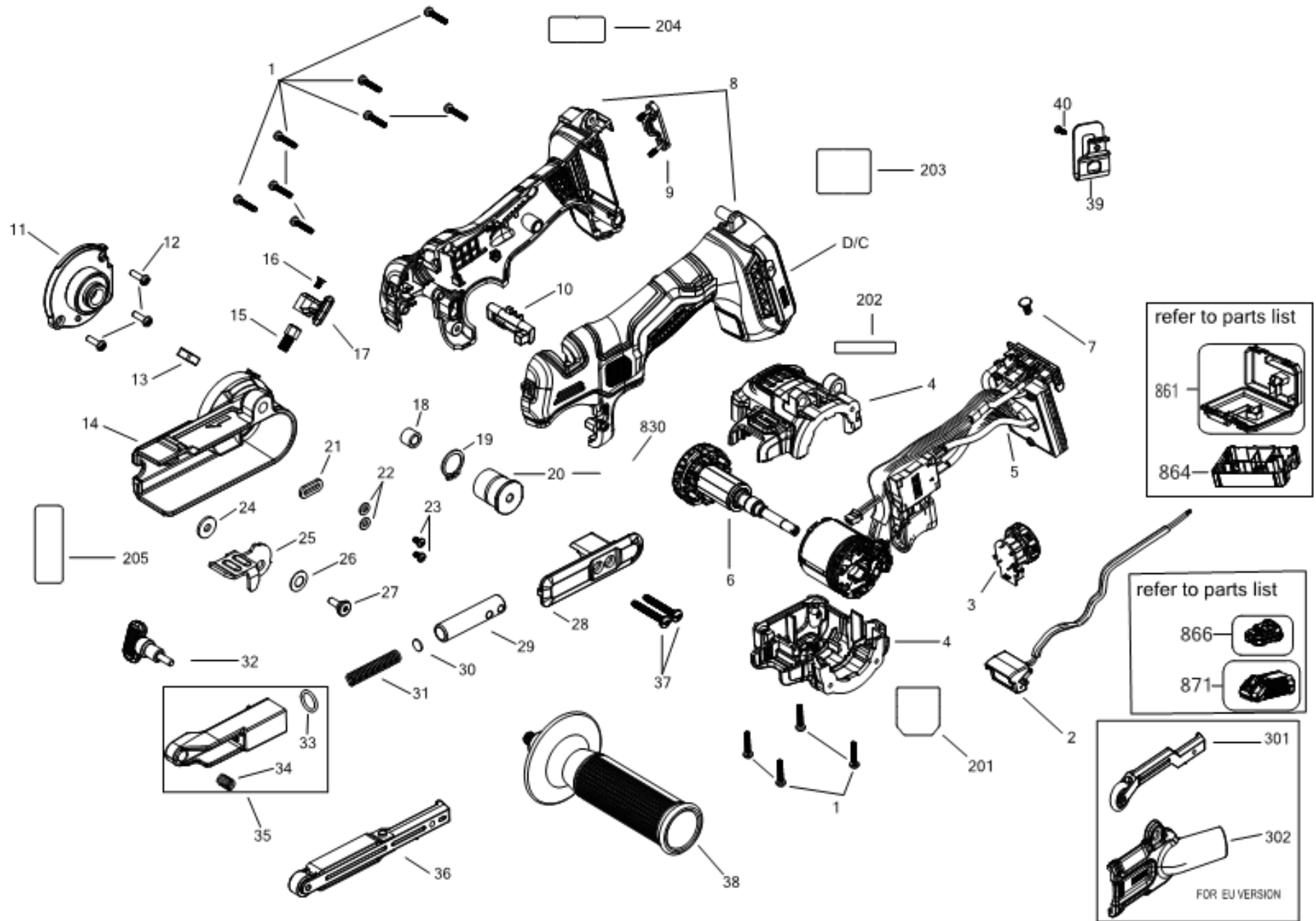


DCM200N POWERFILE 1



Parts List DCM200N POWERFILE 1

Item	Part Number	Qty	Part Description	General Description	Other Info	Repair Inst	Markets
1	330019-00	12	SCREW	M3x16 T10 PLASTITE		No	XJ
2	NA120308	1	LED			No	XJ
3	NA153477	1	SPEED REGULATOR			No	XJ
4	NA205214	1	HOUSING MOTOR			No	XJ
5	NA373986	1	MOTOR & SWITCH SA			No	XJ
6	NA417434	1	ROTOR SA			No	XJ
7	NA105798	1	TERMINAL BLOCK			No	XJ
8	NA168576	1	HOUSING SA			No	XJ
9	NA283517	1	COVER			No	XJ
10	NA104040	1	BUTTON LOCK-OFF			No	XJ
11	NA395380	1	BRAKE ADAPTER			No	XJ
12	NA363158	3	SCREW	M3.5X12 T15		No	XJ
13	NA103719	1	BLOCK			No	XJ
14	NA205186	1	BODY	BAND FILE BODY		No	XJ
15	NA114682	1	SCREW	SCREW HEX M6X10		No	XJ
16	NA356205	1	SCREW	M3X6.5 SCREW		No	XJ
17	NA205191	1	LEVER LOCK			No	XJ
18	NA205257	1	SLEEVE			No	XJ
19	NA089363	1	COLLAR			No	XJ
20	NA205194	1	WHEEL DRIVING			No	XJ
21	NA323171	1	PLASTIC INSERT			No	XJ
22	N462739	2	WASHER			No	XJ
23	NA377988	2	SCREW	SCREW, M3X5 METAL TH		No	XJ
24	640591-00	1	WASHER			No	XJ
25	NA089592	1	CAM LEVER			No	XJ
26	NA103863	1	SPRING			No	XJ
27	NA089588	1	SCREW	LINKAGE SHOULDER SCR		No	XJ
28	NA089590	1	COVER			No	XJ
29	NA089586	1	PIN			No	XJ
30	NA322803	1	FELT	FELT OD.8X1 MM		No	XJ
31	NA107488	1	SPRING			No	XJ
32	NA089589	1	MAINSCREW SA	SA TRACKING SCREW		No	XJ

Parts List DCM200N POWERFILE 1

Item	Part Number	Qty	Part Description	General Description	Other Info	Repair Inst	Markets
33	NA089595	1	O RING			No	XJ
34	NA234451	1	SPRING			No	XJ
35	NA395274	1	ARM	SA INTERMEDIATE ARM		No	XJ
36	NA395278	1	ARM STROKE	SA CONTACT ARM, STRA		No	XJ
37	330045-09	2	SCREW			No	XJ
38	N401305	1	SIDE HANDLE			No	XJ
201	NA321907	1	RATING LABEL			No	XJ
202	NA321909	1	WARNING LABEL			No	XJ
203	NA321915	1	LABEL			No	XJ
204	NA335891	1	LABEL			No	XJ
205	NA392823	1	LABEL	LABEL ASSEMBLY BELT		No	XJ
830	NA375089	1	SERVICE TOOLING KIT			No	XJ